



**MAX.
200sqm/h**

FABRIJET

FD-1904

DIRECT TEXTILE PRINTER



See product information from DGI App & DGI facebook



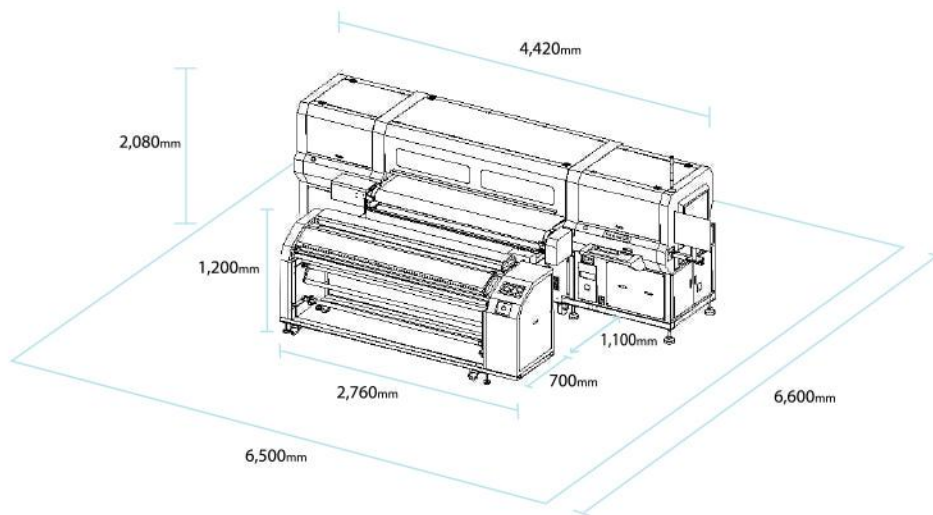
Technical Specification

Print Speed	Draft Mode 200 m ² /hr	Production Mode 115 m ² /hr	Quality Mode 80 m ² /hr	High Quality Mode 62 m ² /hr
Print Resolution	600 x 300dpi (1 Pass)	600 x 600dpi (2 Pass)	600 x 900dpi (3 Pass)	600 x 1,200dpi (4 Pass)
Max Print Width	1,850 mm			
Max Media Width	1,900 mm			
Print Mode	Bi-Direction / Uni-Direction , Normal / Interleave I, II / DBF I, II, III			
Printhead	Kyocera 2,656 nozzle Printhead (4 heads)			
Color	8 Color - Cyan, Magenta, Yellow, Black, Blue, Red, Orange, Gray			
Ink	DGI original water based F210 ink (Reactive)			
Interface	TCP / IP			
Environmental Range	Temperature : 20~28 °C		Humidity : 40~70%	
	Environment condition may affect on final printing quality.			
Electricity Requirements	Printer : 220~240V VAC Single Phase, 50/60 Hz / 10A Dryer : 220~240V VAC Single Phase, 50/60 Hz / 40A			

* All specifications are subject to change without notice.

Dimension for Installation

	Uncrated				Crated			
	Length (mm)	Width (mm)	Height (mm)	Weight (kg)	Length (mm)	Width (mm)	Height (mm)	Weight (kg)
Printer	4,420	1,650	2,080	1,770	4,700	2,110	2,150	2,520
Dryer	2,760	700	1,200	220	3,150	1,100	1,450	330



DGI Original Ink

MODEL	F210 (Standard Original)
Type	Water based Reactive
Capacity	5 Kg / Bottle
Color	C, M, Y, K, Red, Orange, Blue, Gray
Compatible	FD-SERIES



52, Cheongdam-Ro, Yangju-si, Gyeonggi-do, Korea, 482-020
 TEL : +82-31-820-8900 A/S : +82-31-820-8880
 FAX : +82-31-820-8990 E-MAIL : sales@dgi-net.com

www.dgi-net.com
www.facebook.com/dgikorea



ISO 9001:14001 Certified